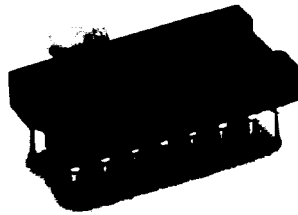


Tape Sealed DIP Sockets



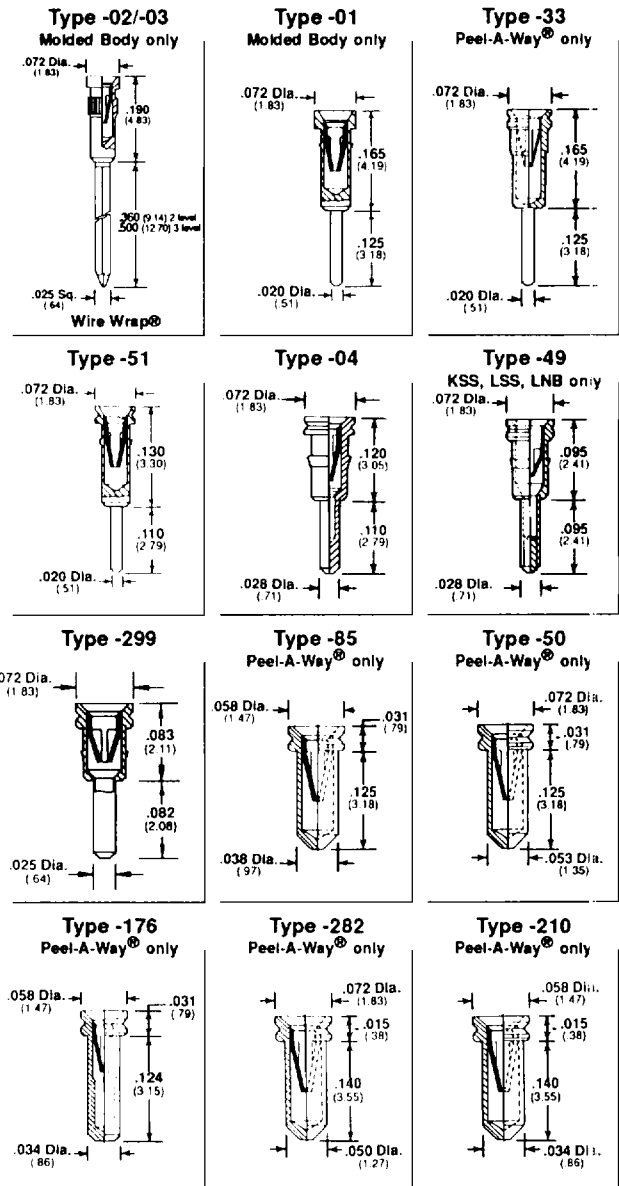
Features:

- Removable tape seal protects plated contact in harsh environments.
- Sealed socket will not allow dirt and other contaminants to enter socket chamber and become entrapped behind contact fingers.
- Spray flux without contaminating contact area.
- When ordering add 3M to end of part number.
- See DIP pages 8 - 11, 16 & 17 for material and dimensional information.

Tape Sealant:

Silicone Backed Polyimide Film,
 -74°C to 260°C (-100°F to 500°F)
 Intermittent to 371°C (700°F)

Terminal Information



How To Order

